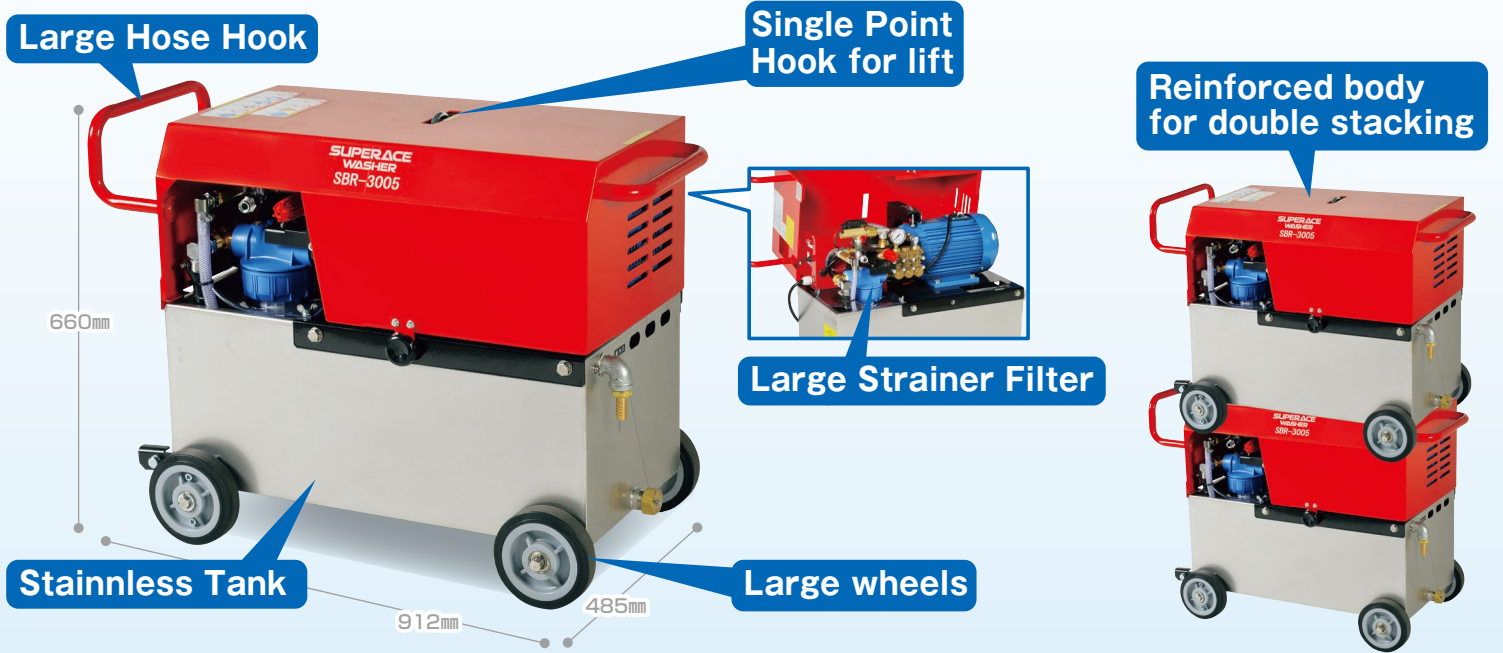


SUPERACE® WASHER NEW

SBR-3005

**3.7kW Compact Washer with water tank
Optimal for Construction sites at High elevation!**



Compact and Slim

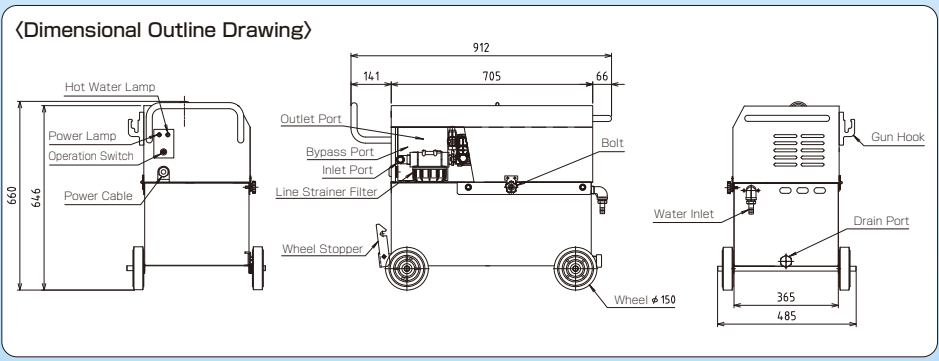
Three units can be loaded side by side on 2 ton trucks.

Optimal for High altitude pumping

with 3 difference elevation.

Shutdown device for dry run

-both at its own tank and other tanks.



(Specification)		3.7kW/5.0PS
Product Name		SBR-3005
Code Number		03A0C1
PUMP	Max Pressure(kgf/cm ²)	5.0 (51)
	Flow Rate(L/min)	[50Hz]24/[60Hz]28
MOTOR	RPM	[50Hz]1450/[60Hz]1750
	Power Rating	3.7kW 1450/1750 (4P)
	Rated Voltage (V)	Power Circuit: 200/Operating Circuit:200
	Rated Current (A)	[50Hz]15.4/[60Hz]14.3
	Starting Method	Direct-on
Cabtyre Cable		2.0mmx4Cx5m
Dimensions (LxWxH)(mm)		912x485x660
Weight(kg)		88.0
Water Tank Size (L)		71.0
Equipment	Trigger gun + Spray Lance, Nozzle, High Pressure Hose 20m, Suction Hose 3m, Strainer Filter, Bypass Hose 3m, Power Cable	

High Pressure Power washer



SUPER INDUSTRIES CO.,LTD

<http://www.super-ace.co.jp/english/>